



Smile Confidently

With DIEM®2



Immediate Full Arch Rehabilitation

Immediate Full Arch Rehabilitation*

Edentulism and failing dentition continue to be major health challenges affecting millions of people worldwide.

Many patients seek full arch rehabilitation to quickly regain their confidence and quality of life. You can help these patients by offering them DIEM 2, the BIOMET **3i** solution for immediate full arch restoration for one or both arches.



Clinical photograph showing hopeless dentition in both jaws due to advanced, generalized periodontitis.**

Innovative System

DIEM 2 allows for same-day treatment utilizing surgical and prosthetic flexibility with the following components:

- Tapered Implants
- Low Profile Abutments with Prosthetic Components
- BellaTek® Bars & Frameworks
- Patient Marketing Program

DIEM®2 Full Arch Rehabilitation Solution

- ✔ DIEM 2 is designed to help provide long-lasting aesthetic results through comprehensive dental implant therapy for edentulous patients, partially edentulous patients and those with failing dentition.

Driven by years of evidence-based research.
BIOMET 3i



*Not all patients are candidates for immediate load procedures.

**Clinical photograph courtesy of Dr. Gary A. Morris, DDS†.

†Dr. Morris has a financial relationship with BIOMET **3i** LLC resulting from speaking engagements, consulting engagements and other retained services.

Same-Day Treatment*

Patients return home on the same day of surgery with a fixed provisional prosthesis that looks aesthetically pleasing and functions immediately*.

Benefits for Patients

- Eliminates the need for loose or painful dentures by providing patients with a fixed provisional prosthesis for increased satisfaction
- Implant therapy helps to conserve bone and tissue levels, yielding sustainable aesthetic results
- Reduces the number of procedures and follow-up visits

Benefits for Clinicians

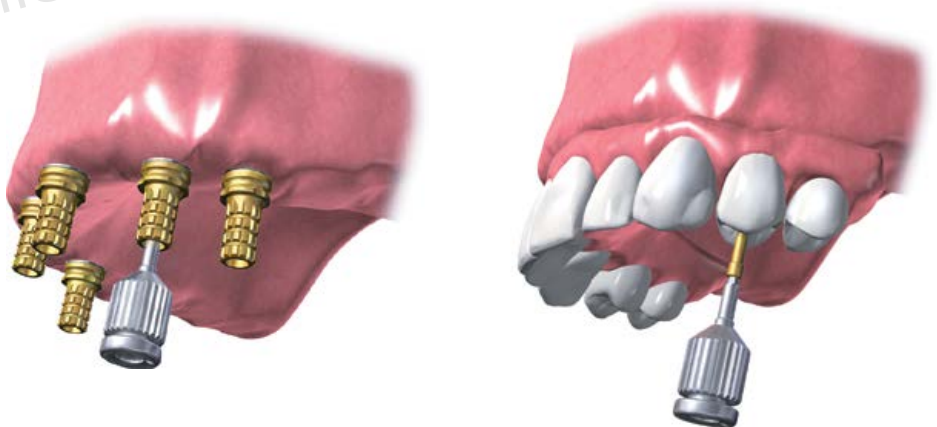
- Decreases surgical morbidity
- Reduces the need for bone augmentation/grafting
- Allows for implant dentistry access to a large edentulous or partially edentulous patient population
- Offers an additional innovative procedure for the dental practice
- Designed to increase implant treatment acceptance due to a single day procedure
- Practice growth through better patient care and patient education tools

Step-by-Step Guidelines Serve as a Roadmap for Treatment

Surgical Phase



Restorative Phase



Immediate provisional restoration on four or more implants.

Please refer to the DIEM®2 Guidelines (INST | 159) for step-by-step instructions.

*Not all patients are candidates for immediate load procedures.

Surgical and Prosthetic Flexibility

Tapered Implants

- **Integrated Platform Switching** medializes the implant/abutment junction (IAJ) inward, creating a biologic width between connective tissue and the IAJ - helping to maintain bone levels¹
- **Primary Stability** is achieved with the implant's uniform thread design to the apex and an intimate fit within the bone to support initial bone-to-implant contact along the full length of the implant

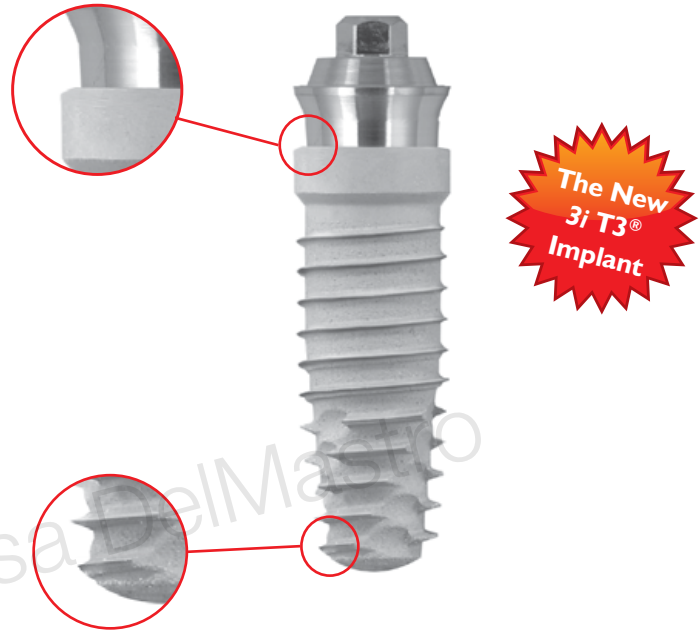
Low Profile Abutments

- **Low 2.2mm restorative height** for functional aesthetic restorations in limited interarch spaces
- **Straight and angled options** of 17 and 30 degrees; ideal for cases where a sinus lift might be avoided
- **Consistent 4.8mm restorative platform** throughout the abutment line for less parts and pieces
- **Contoured profile** provides easier placement in subcrestal and flapless surgeries

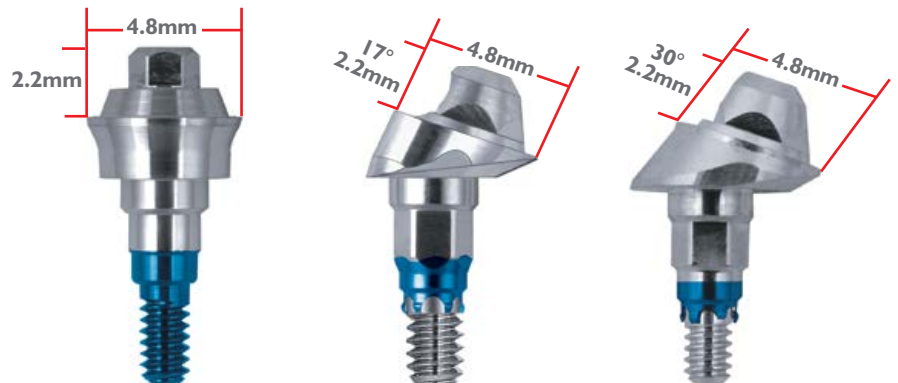
Innovative Products that Support



BIOMET **3i** offers a wide array of versatile surgical and prosthetic components to manage each patient's unique clinical needs.



The only abutment on the market that offers angle correction of 17 and 30 degrees in 12 different positions!



¹Lazzara R†, Porter SS. Platform switching: A new concept in implant dentistry for controlling post-restorative crestal bone levels. *Int J Perio Rest Dent.* 2006;26:9-17.

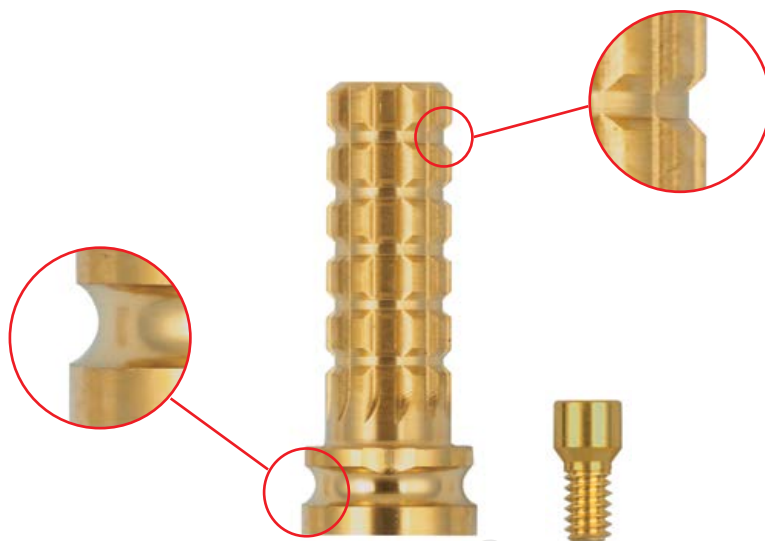
†Dr. Lazzara has a financial relationship with BIOMET **3i** LLC resulting from speaking engagements, consulting engagements and other retained services.

Low Profile Abutment Prosthetic Components

- **Optimal aesthetics** are achieved with the gold hue of the Temporary Cylinder through the acrylic resin
- **Ease of use** provided by machined concavities at the apex of the cylinders to retain the rubber dam
- **Clear visual markers** provided by the machined grooves along the length of the cylinder when measuring and reducing their height
- **Greater clamping force** with Gold-Tite[®] Screw technology (Certain[®] connection) as compared to a titanium alloy screw^{2*}

BellaTek[®] Bars & Frameworks

- A truly passive fit
- Superior strength as compared with conventional casting techniques
- CAD/CAM precision
- No soldering or welding
- No waxing and casting
- Biocompatible alloy



A wide variety of CAD/CAM bar designs for a strong, precise and aesthetic definitive fixed prosthesis.



2. Suttin Z[†], Towse R[†]. Effect of abutment screw design on implant system seal performance. Presented at the European Association for Osseointegration, 20th Annual Scientific Meeting; October 2012; Copenhagen, Denmark. http://biomet3i.com/Pdf/Posters/P-450_Effect_of_Screw_Design_on_Implant_Seal.pdf

[†]Mr. Suttin and Mr. Towse contributed to the above research while employed by BIOMET **3i**.

*Pre-clinical studies are not necessarily indicative of clinical results.

Practice Marketing

BIOMET **3i** offers a comprehensive solution to help grow your practice with patient education tools designed to increase awareness of dental implant therapy.

Practice Growth Through Education

- Smile Today patient education tools are designed to bring implant therapy awareness to a large edentulous or partially edentulous patient population
- BIOMET **3i** offers a robust continuous education curriculum designed to help clinicians successfully implement DIEM 2 Guidelines into their practice
- Possibility for increased practice productivity and efficiency by reducing chairside visits for each case

Smile Today[®] Patient Marketing Program

✔ This program offers turnkey marketing tools that you can use to educate your patients on the benefits of DIEM[®] 2 Immediate Full Arch Restoration Therapy.

- Quick Reference Guide to Patient Marketing
- Patient Education Brochure
- Direct Mail Postcard
- Advertising Templates
- Patient Education Presentation
- Website Content

...and much more!

The image displays two pieces of marketing material for the Smile Today program. The top item is a brochure with a light green background and a circular photo of a diverse group of smiling people. The text on the brochure includes the logo 'smiletoday™' with the tagline 'The new you. Right now.', and the headline 'A natural, beautiful smile – today.' Below this, there is a section titled 'Start smiling with confidence!' which explains that the program helps patients regain confidence and their smile in one day with dental implants. It also mentions 'One visit. One day. The smile you've been missing. What are you waiting for?' and features the 'smiletoday™' logo and tagline again. The bottom item is a direct mail postcard with a similar design, featuring the headline 'A natural, beautiful smile – today.' and the tagline 'Today® may be right for you.' at the bottom.

Ordering Information

Low Profile Abutments



3.4mm Seating Surface								
Collar Height	One Piece (Non-Hexed)		Two Piece (Hexed)		17° (Hexed)		30° (Hexed)	
1mm	ILPC341U	LPC341U	ILPC341	LPC341	-	-	-	-
2mm	ILPC342U	LPC342U	ILPC342	LPC342	ILPAC3217	LPAC3217	-	-
3mm	ILPC343U	LPC343U	ILPC343	LPC343	-	-	ILPAC3330	LPAC3330
4mm	ILPC344U	LPC344U	ILPC344	LPC344	ILPAC3417	LPAC3417	-	-
5mm	-	-	-	-	-	-	ILPAC3530	LPAC3530

4.1mm Seating Surface								
Collar Height	One Piece (Non-Hexed)		Two Piece (Hexed)		17° (Hexed)		30° (Hexed)	
1mm	ILPC441U	LPC441U	ILPC441	LPC441	-	-	-	-
2mm	ILPC442U	LPC442U	ILPC442	LPC442	ILPAC4217	LPAC4217	-	-
3mm	ILPC443U	LPC443U	ILPC443	LPC443	-	-	ILPAC4330	LPAC4330
4mm	ILPC444U	LPC444U	ILPC444	LPC444	ILPAC4417	LPAC4417	-	-
5mm	-	-	-	-	-	-	ILPAC4530	LPAC4530

5mm Seating Surface								
Collar Height	One Piece (Non-Hexed)		Two Piece (Hexed)		17° (Hexed)		30° (Hexed)	
1mm	ILPC541U	LPC541U	ILPC541	LPC541	-	-	-	-
2mm	ILPC542U	LPC542U	ILPC542	LPC542	ILPAC5217	LPAC5217	-	-
3mm	ILPC543U	LPC543U	ILPC543	LPC543	-	-	ILPAC5330	LPAC5330
4mm	ILPC544U	LPC544U	ILPC544	LPC544	ILPAC5417	LPAC5417	-	-
5mm	-	-	-	-	-	-	ILPAC5530	LPAC5530

= Certain® Internal Connection = External Hex Connection

Abutment Compatibility

Component	Hexed Abutment	Non-Hexed Abutment
Hexed	Yes	No
Non-Hexed	Yes	Yes

Low Profile Screws

Description	Item No.
Gold-Tite® Retaining Screw	LPCGSH
Titanium Retaining Screw	LPCTSH
Waxing Screw	LPCWS

Low Profile Laboratory Tools

Description	Item No.
Lapping Tool	LPCAMI
Polishing Protector	LPCPP

Low Profile Abutment Bone Profilers

Description	Item No.
Low Profile Abutment Bone Profiler, 3.4mm(D)	LPCBP3
Low Profile Abutment Bone Profiler, 4.1mm(D)	LPCBP4
Low Profile Abutment Bone Profiler, 5mm(D)	LPCBP5

Low Profile Impression Copings & Analog

Description	Item No.
Pick Up Impression Coping (Hexed)	LPCPIC1
Pick Up Impression Coping (Non-Hexed)	LPCPIC2
Twist Lock™ Impression Coping (Hexed)	LPCTIC1
Twist Lock Impression Coping (Non-Hexed)	LPCTIC2
QuickBridge® Impression Coping	LPCRIC
Lab Analog	LPCLA

Low Profile Provisional Restoration Components

Description	Item No.
Temporary Cylinder (Hexed)	LPCTC1
Temporary Cylinder (Non-Hexed)	LPCTC2
Healing Cap	LPCHC
PreFormance® Temporary Cylinder (Hexed)	LPCPTC1
PreFormance Temporary Cylinder (Non-Hexed)	LPCPTC2
QuickBridge	LPCQB
QuickBridge Replacement Cap	LPCQBCAP
Distal Extension	LPCDE

Low Profile Final Restoration Components

Description	Item No.
Gold Cylinder (Hexed)	LPCGC1
Gold Cylinder (Non-Hexed)	LPCGC2
Castable Cylinder (Hexed)	LPCC1
Castable Cylinder (Non-Hexed)	LPCC2
Laser Welded Cylinder	LPCTUCA

Large Hex Driver & Driver Tip

Description	Item No.
Large Hexed Driver	PHD02N, PHD03N*
Large Hexed Driver Tip	RASH3N, RASH8N*
Posterior Abutment Driver 17mm(L)	PAD00
Standard Abutment Driver 24mm(L)	PAD24

*Made narrower to fit with external hexed angled Low Profile Abutments. The Driver and Driver Tips can be identified by a laser marked dot after the item number as pictured below.



To Order, Please Contact Your Local BIOMET 3i Sales Representative Or Visit Our Online Store: www.shopbiomet3i.com

(US Customers Only)



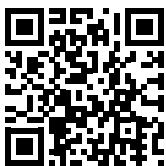
BIOMET **3i** offers a family of synergistic system solutions to help you and your patients achieve beautiful, confident and healthy smiles.



- Smile Beautifully
- Smile Confidently
- Smile Healthy

For more information regarding Smile Therapy™ System Solutions, please contact your local BIOMET **3i** Sales Representative.

Check Out The BIOMET **3i Online Store at www.shopbiomet3i.com**
(US Customers Only)



Global Headquarters
 4555 Riverside Drive
 Palm Beach Gardens, FL 33410
 1-800-342-5454
 Outside the U.S.: +1-561-776-6700
 Fax: +1-561-776-1272
www.biomet3i.com
www.shopbiomet3i.com



BIOMET **3i**
 Dental Iberica S.L.
 WTC Almeda Park, Ed. 1, Planta 1ª
 Pl. de la Pau, s/n
 08940, Cornellà de Llobregat
 (Barcelona) Spain
 Phone: +34-93-470-55-00
 Fax: +34-93-371-78-49



3i T3, BellaTek, Certain, DIEM, Gold-Tite, PreFormance and QuickBridge are registered trademarks and Providing Solutions – One Patient At A Time, Smile Therapy and Twist Lock are trademarks of BIOMET **3i** LLC. ©2014 BIOMET **3i** LLC.

All trademarks herein are the property of BIOMET **3i** LLC unless otherwise indicated. This material is intended for clinicians only and is NOT intended for patient distribution. This material is not to be redistributed, duplicated or disclosed without the express written consent of BIOMET **3i** LLC. For additional product information, including indications, contraindications, warnings, precautions and potential adverse effects, please visit the BIOMET **3i** Website: www.ifu.biomet3i.com.



ART1169
REV C 10/14